



PROVECTA HD

# PRO▶VECTA® HD

The Very Definition of Excellence.

**AIR**  
**TECHNIQUES** equipped for life®

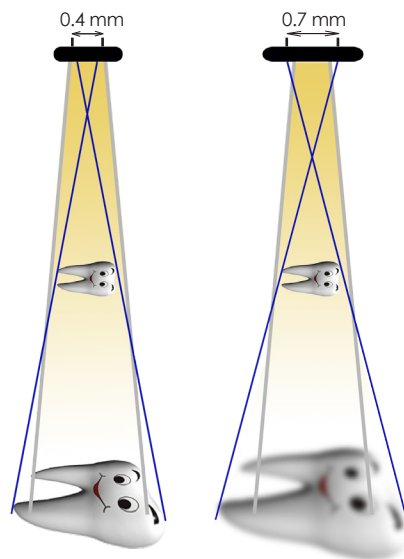


## Perfect in Function

### DC tube with a 0.4 mm focal point for unsurpassed image resolution

While most X-ray units have a 0.7 mm focal point, the ProVecta HD features a 0.4 mm focal point for maximum image sharpness.

The smaller the focal spot, the greater the contrast resolution, which provides sharper edge definition and finer details of internal structures.



### Other reasons for exceptional precision:

- Generator head handle allows **precise positioning** that stays in place.
- Right-angle/parallel technology for **precise alignment**.
- Adjustable **mA and kV** levels.
- Optional **rectangular radiation field collimator**.
- DC technology allows **constant radiation** levels to ensure reliable image quality.
- **Factory programmed** dosage specifically set for each view of teeth when using ScanX<sup>®</sup> flexible phosphor plates (PSPs).

**The ProVecta HD works with wired sensors, cordless flexible phosphor plates (PSPs) and film.**

## Advanced ergonomics for advanced comfort

Our special generator head handle not only allows precise positioning, it makes the process more comfortable for both the clinician and the patient.



### 3 Extended arm lengths

Choose from short (66"), medium (72") and long (84")

### DC tube to minimize radiation dosage

Reduces the patient dose by more than 25% in comparison to conventional AC units, ensuring greater safety for your patients and staff.

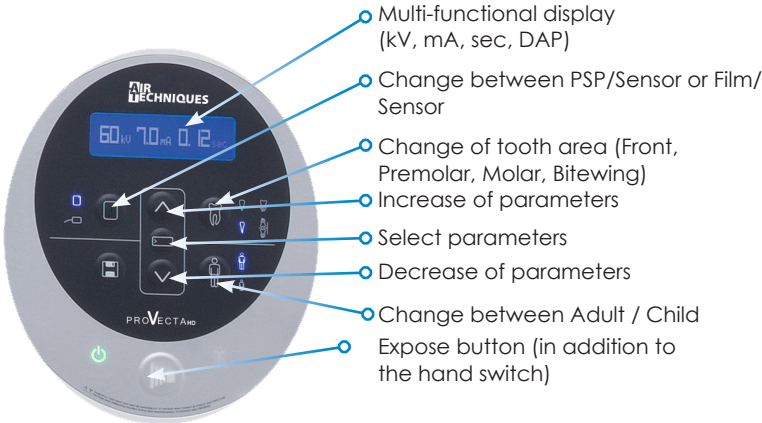


# Perfect in Design



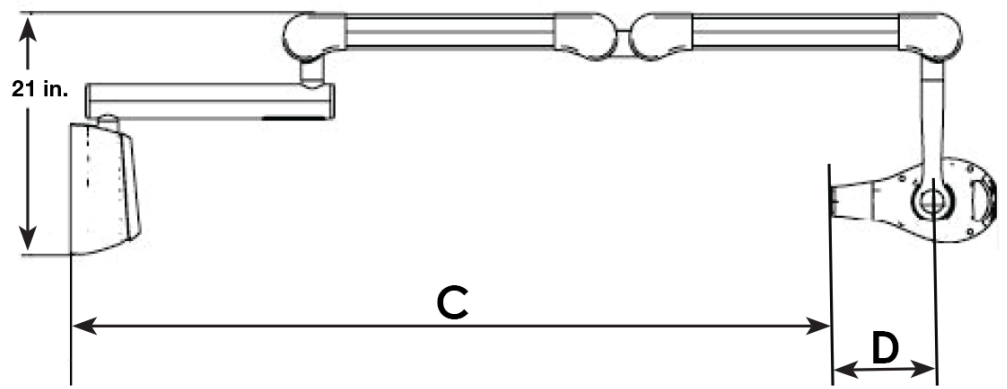
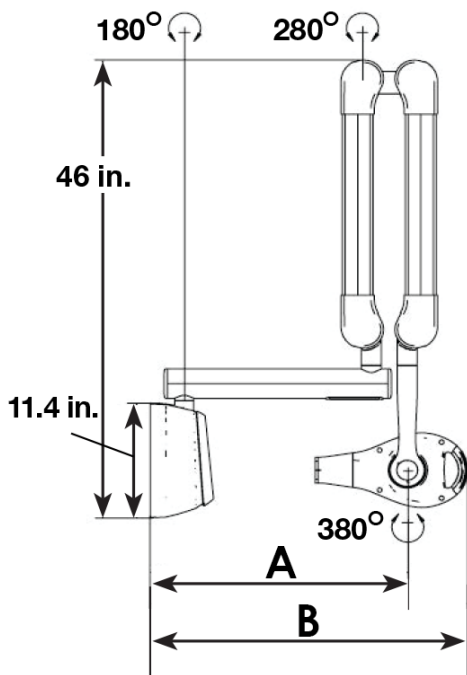
### Space-saving design

This state-of-the-art unit's small footprint, coupled with its right-angle/parallel technology, allows it to work its magic in less space than less-advanced units.



### High efficiency control panel for faster workflow and fewer errors

User-friendly display features intuitive icons for quick and accurate selection of tooth area (front, premolar, molar, bitewing), size of patient (adult/child), type of radiograph remotely using Cat5 cable. Can be single-stud-mounted or 16" -on-center-mounted at no extra cost.



Horizontal Arm Length	A	B	C	D
17.7" PN A6350-15	25"	31"	66"	8.6"
23.6" PN A6350-24	31"	37"	72"	8.6"
35.4" PN A6350-33	42"	48"	84"	8.6"

airtechniques.com

## Specifications

Power input	AC 100-120 V 10%, 50/60 Hz
Power rating (W)	500
Tube voltage (kVp)	60-70
Tube current (mA)	4-7
Tube length (in)	8" (12" optional)
Radiation field limits (in)	2.4"/1.2" x 1.6" (0.8" x 1.2" optional)
Exposure time (sec.)	0.04 - 2
Focal spot size (mm)	0.4 (IEC 60336)
Total filtration (mm)	Min. 2.0 Al
Weight (lbs)	55/56/59 lbs (short/medium/long arm)
Storage height (in)	46"
Extended arm length (in)	66", 72", and 84"



### Perfect Companion to ProVecta HD

Digital radiography featuring flexible phosphor storage plates: ScanX® Classic for intraoral & extraoral imaging; ScanX® Swift for chairside imaging



CORPORATE HEADQUARTERS  
1295 Walt Whitman Road  
Melville, New York 11747-3062  
800-247-8324

ProVecta is a registered trademark  
of Air Techniques, Inc.  
© Copyright 2018  
PN 9922-461 Rev. B

**AIR**  
**TECHNIQUES** equipped for life®