



Bel-Halo

LED Dental Light

■ Bel-Halo

LED Dental Light

Superior look matched with superior performance.

Color Rendering

Unique circular 10 bulb LED array provides cool white light that is excellent for tooth shade matching and differentiation of soft tissues. The 5000°K color temperature approximates natural daylight at all intensity settings and is ideal for any procedure.

Clean Environment

Touchless sensor facilitates hands-free activation and composite-safe mode activation, minimizing the risk of cross-contamination of the light head surface.



Positioning Flexibility

A three-axis light head rotation provides operators with the flexibility to direct illumination precisely where it is needed within the patient's oral cavity.

Easy on the Eyes

Stepless intensity control adjusts oral cavity illumination to fit ambient lighting conditions within the operatory. The rectangular light pattern is its brightest in the middle, gradually feathering outward to minimize eye fatigue.



LED Effectiveness

Direct illumination light efficiency, low-power consumption, and minimized heat generation makes Bel-Halo the optimal choice for any operatory.

Shadowless Illumination

Shadowless illumination technology allows for uninterrupted lighting to the patient oral cavity, even with a 50% obstruction between the light head and the patient.

Efficient Options

Special pivoting mirror option provides dental staff with a means to visually communicate oral cavity conditions to patients.

Mounting Options

Configurations include ceiling mount, track mount, wall mount, post mount, curved post mount, and cabinet mount.

AL902T Ceiling Mount Light
(for operatories with 8 to 10 ft ceilings)



AL901 Post Mount Light
(post not included)



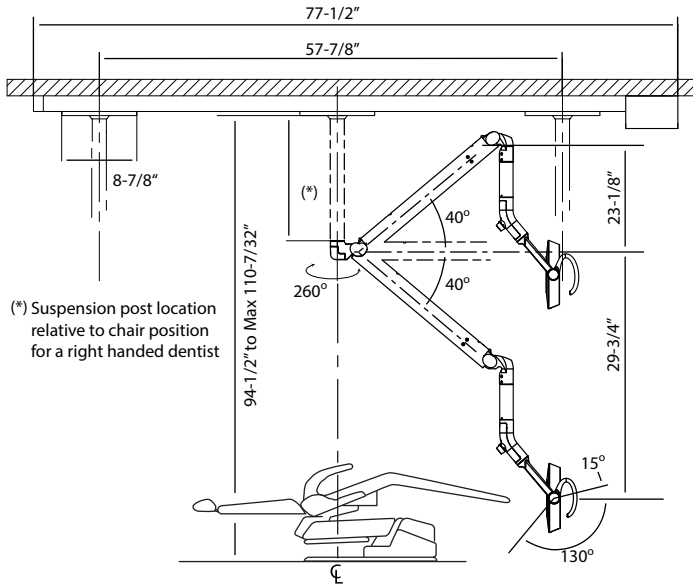
AL905T Track Mount Light
(for operatories with 8 to 10 ft ceilings)



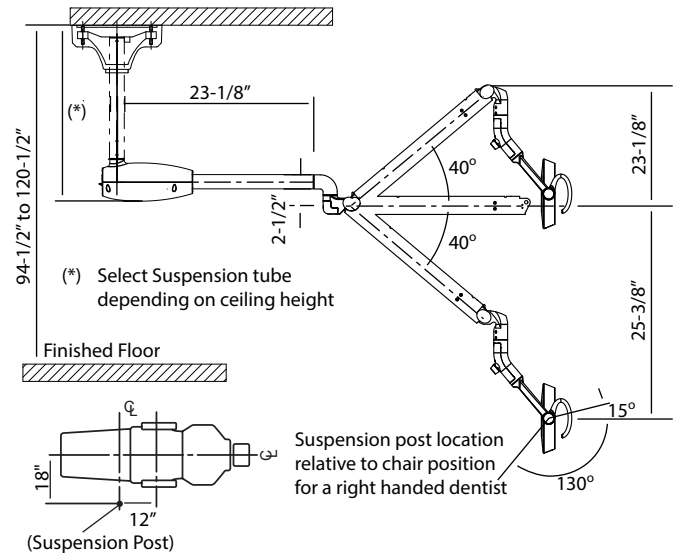
Unit-mounted curve post for Quolis®,
EVOGUE, and X-Calibur delivery systems



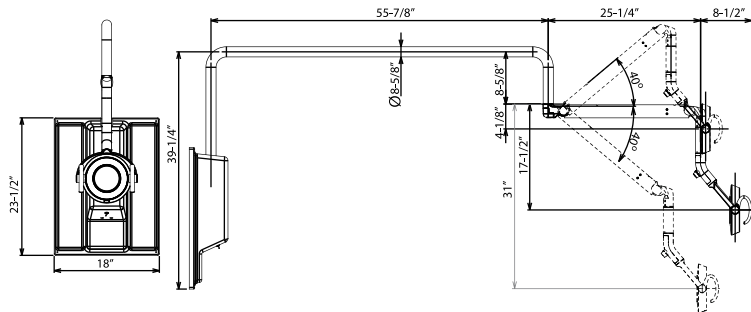
AL905T Track Mounted Light



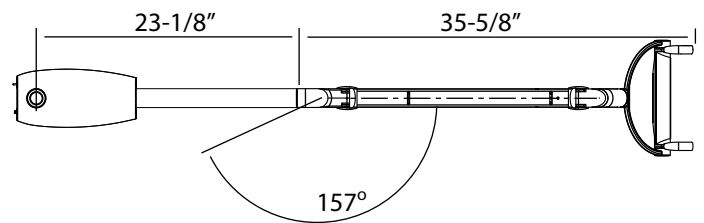
AL902T Ceiling Mounted Light



AL908T Wall Mounted Light



AL901 Post Mounted Light



SPECIFICATIONS

Light Source:	10 LED array
Focal Distance:	25-5/8" (650 mm)
Intensity:	370 to 2970 FTC (Stepless)
Composite Safe Mode:	510 FTC
Color Temperature:	5,000° K at any intensity
Color Rendering Index:	> 90
Light Pattern:	3-1/8" x 5-7/8" (80 mm x 150 mm)
Operation:	Touchless sensor
Intensity Adjustment:	Stepless rotating knob
Head Positioning:	Rotation of head at three axis

Belmont Equipment
101 Belmont Drive
Somerset, NJ 08873
(800) 223-1192
www.belmontequip.com

Takara Company Canada Ltd.
2076 South Sheridan Way
Mississauga, ON
L5J 2M4, Canada
(800) 268-5351
dental.takarabelmont.ca

Belmont
Delivering Value in Quality

@BelmontEquipUS

