



## Forest 9080 Halogen Light

---

Affordable Excellence + Designer Friendly<sup>®</sup>



## Forest Halogen Light (Models 9080, 9090)

Sales of the 9080 halogen light grew 120 percent during the last four years of the recession thanks to Forest's exclusive concepts of Affordable Excellence and Designer Friendly®. Choose from one of nine lustrous, two-coat powder coat paint colors, accented with chromed billet aluminum flex arm end caps that won't crack, fade or fall off. A third axis of rotation allows you to place the light over your shoulder while keeping the long axis of the light pattern parallel with the mouth. The reflector is embedded into the glass preventing it from peeling or cracking over time. An adjustable flex arm on/off actuator, a long-life halogen bulb, a scratch-resistant Lexan light shield and more make this light an outstanding value.



Adjustable Light Pattern



Scratch-Resistant Light Shield



Third Axis of Rotation



Forest Dental



\* sales videos available online at [forestdental.com](http://forestdental.com)

---

Phone

- 800 . 423 . 3555
- 503 . 640 . 3012

---

Fax

- 503 . 693 . 9715

---

Digital

- [sales@forestdental.com](mailto:sales@forestdental.com)
- [forestdental.com](http://forestdental.com)

---

Address

- 6200 ne cherry drive hillsboro oregon 97124



9078 LED Light



## Forest LED Light (Model 9072, 9077)

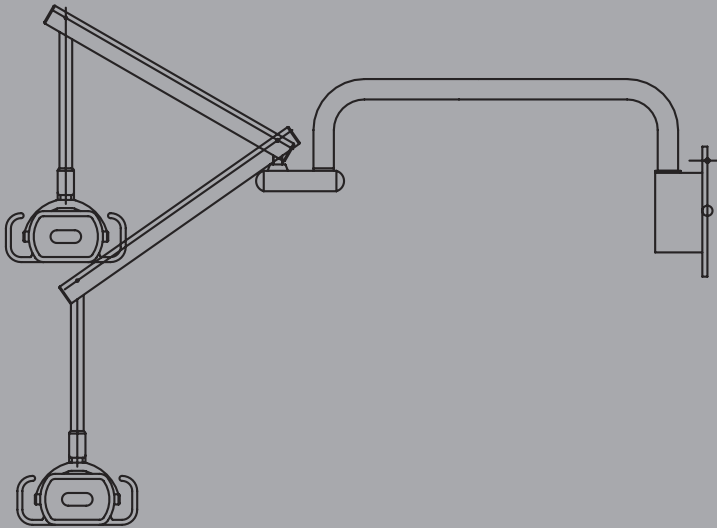
The 9072 brings you all the benefits associated with the latest LED bulbs in an all-aluminum light head housing. Aluminum is superior to plastic as it can be powder coated in one of our nine colors to complement your interior design; the tough finish easily withstands the rigors of the treatment room and will not fade, discolor or crack.

The optics of the 3X5 inch pattern are designed to keep light out of the patient's eyes. The color of the light can be adjusted from 4200 to 6000 Kelvin for tissue examination and shade/color matching respectively. A much appreciated feature of the LED bulb is that the same color is maintained regardless of the intensity level, enabling you to turn down the light to eliminate glare, without affecting color. Brightness or LUX can be adjusted from 8000 to 35000. A third axis of rotation allows the light head to be positioned over the shoulder while keeping the pattern parallel with the long axis of the mouth so you don't have to compete with the light for space above the patient's head. The 9072 is the only light of its kind with autoclavable handles small enough to fit in a standard sterilizer, especially important for patients that require hospital grade infection-control.

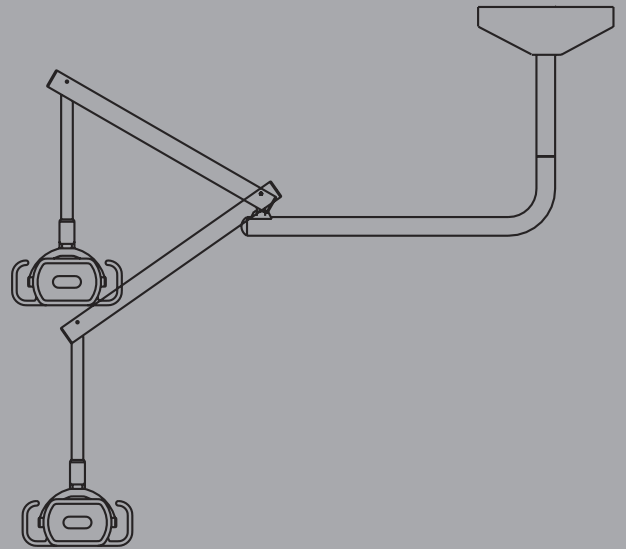
# Forest Light Mounting Options

Forest offers five different mounting options for our lights: wall, cabinet, ceiling, track and chair. All mounts are heavy-duty in construction and designed with leveling adjustments to eliminate drift. The bearings and bushings in key pivot points are of the highest quality, designed for a long, trouble-free life.

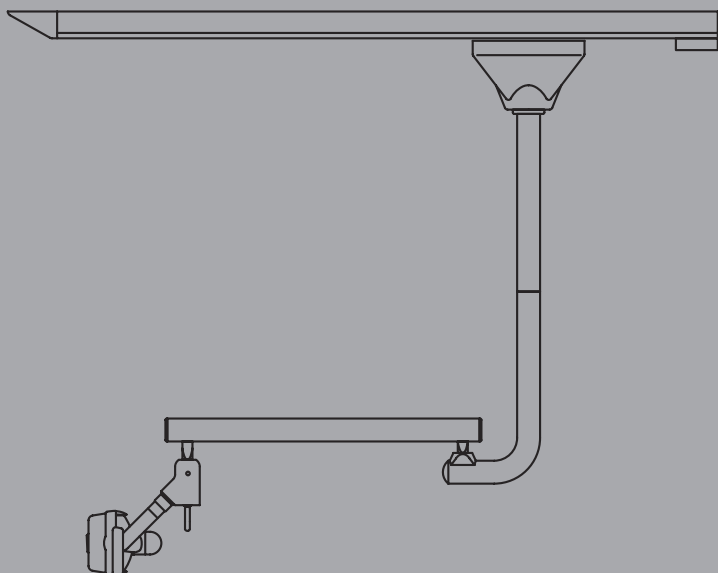
## Wall & Cabinet Mount



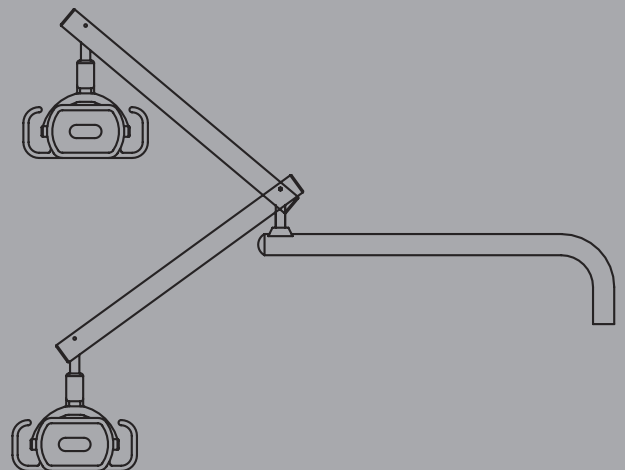
## Ceiling Mount



## Track Mount



## Chair Mount





Forest Dental



\* sales videos available online at [forestdental.com](http://forestdental.com)

---

Phone

- 800 . 423 . 3555
- 503 . 640 . 3012

---

Fax

- 503 . 693 . 9715

---

Digital

- [sales@forestdental.com](mailto:sales@forestdental.com)
- [forestdental.com](http://forestdental.com)

---

Address

- 6200 ne cherry drive hillsboro oregon 97124