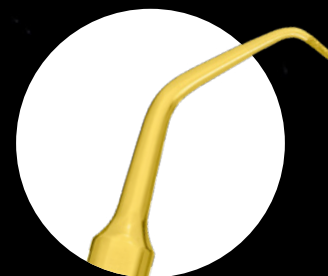
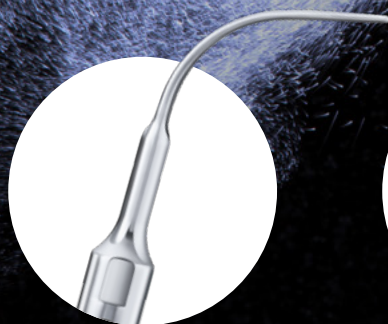
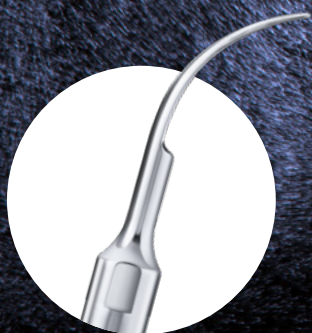
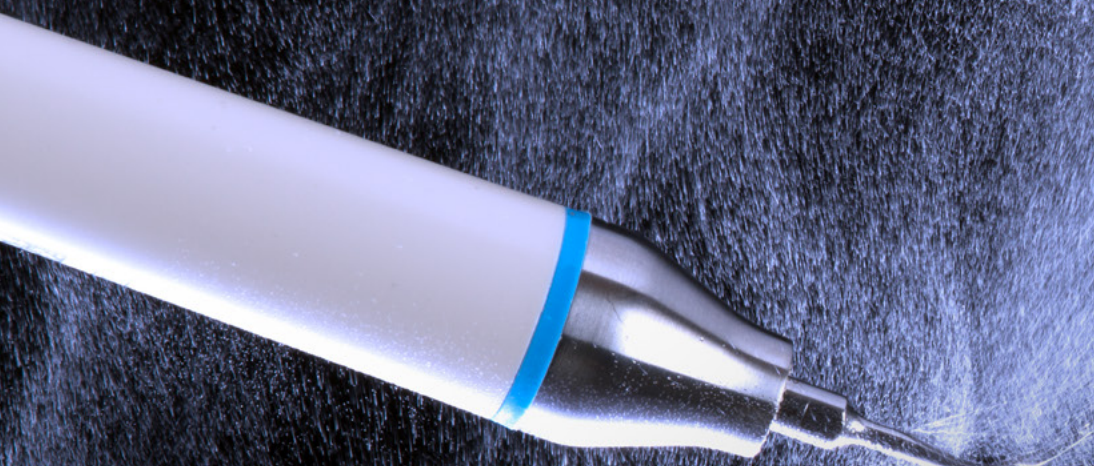


PWR Piezo Tips

Compatible with PWR Pair
and PWR Piezo Devices



Power
Equipment



Put the **PWR** in Power Scaling

The PWR of piezo scaling is the power of choice. Power scale the way you choose with the expansive array of PWR Piezo Tips. From scaling to perio to endodontic and more, choose from an unrivaled variety of PWR Piezo Tips – for every indication, every treatment, and every patient you will face in your daily practice.



CONTENTS

Scaling Piezo Tips	3
Perio Piezo Tips	6
Endodontic Retro Piezo Tips	11
Endodontic Revision Piezo Tips	13
Implant Cleaning Tips	16
Piezo Tip Kits	17



PWR Piezo Tips are compatible with PWR Pair and PWR Piezo devices.

Learn more about these PWR Piezo Scaling and Air Polishing devices at [HuFriedyGroup.com/PWR-ON](https://www.hufriedygroup.com/PWR-ON).

PWR Piezo Tips • Scaling Tips

Our selection of PWR Scaling Piezo Tips includes standard piezo tips for calculus removal and biofilm elimination. With six designs to choose from, there is a PWR Piezo Tip no matter the patient.

S1 Piezo Tip

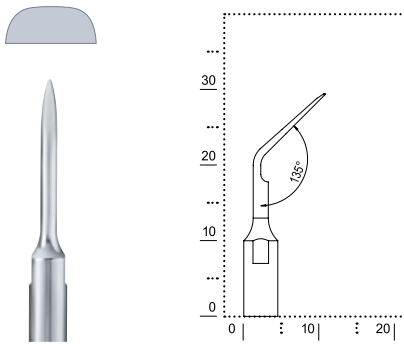


Tip Design

Universal curette with semicircular diameter

Surface

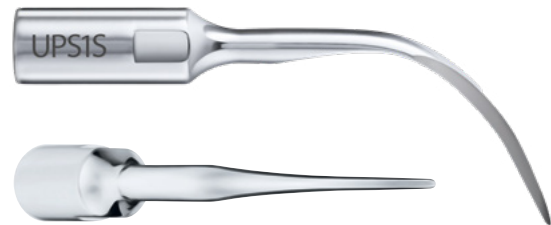
Brightly polished medical grade stainless steel



Treatment

For considerable calculus removal

S1-S Piezo Tip

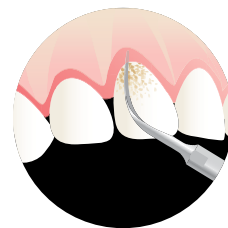
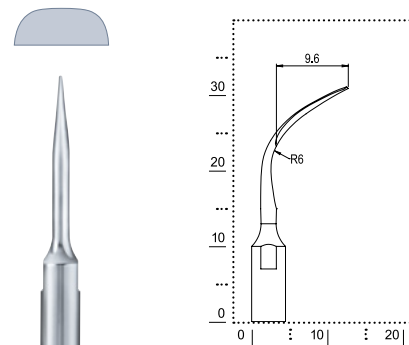


Tip Design

Long universal curette with triangled, slightly curved surface

Surface

Brightly polished medical grade stainless steel



Treatment

For supragingival calculus removal and subgingival concretions and biofilm elimination

PWR Piezo Tips • Scaling Tips

S2 Piezo Tip

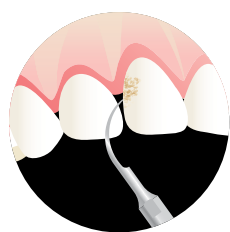
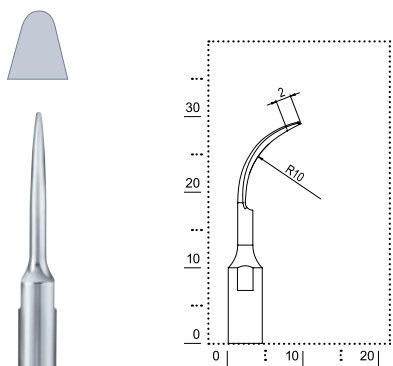


Tip Design

Universal curette with triangled, slightly curved surface

Surface

Brightly polished medical grade stainless steel



Treatment

Efficient in the interproximal spaces and posterior surfaces

S3 Piezo Tip

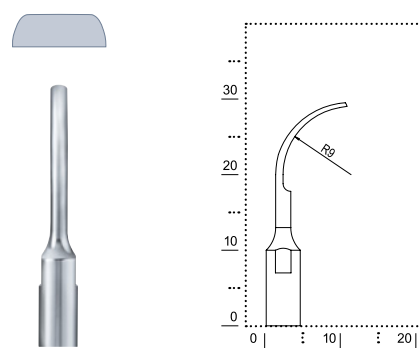


Tip Design

Flat, with rounded edges

Surface

Brightly polished medical grade stainless steel



Treatment

For considerable supragingival calculus removal

S4 Piezo Tip

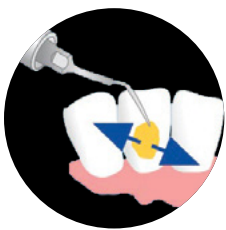
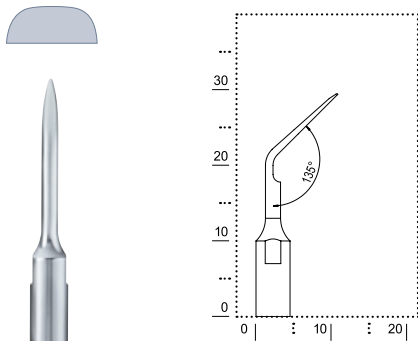


Tip Design

Universal Curette with 45° angled, triangled and slightly curved surface

Surface

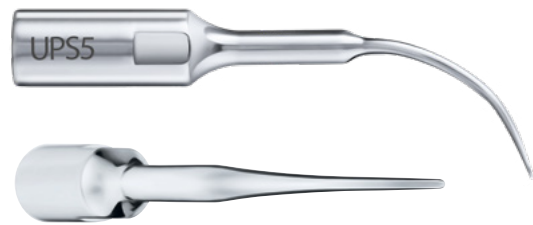
Brightly polished medical grade stainless steel



Treatment

For calculus removal on mesial and distal interproximal surfaces in the posterior area

S5 Piezo Tip

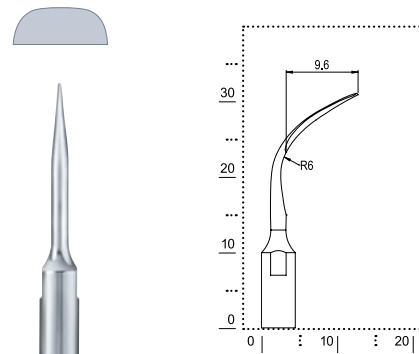


Tip Design

Similar shape to S1 Piezo Tip but longer and thinner

Surface

Brightly polished medical grade stainless steel



Treatment

For gentle sub- and supragingival calculus removal and for gingivitis

PWR Piezo Tips • Perio Tips

Our selection of PWR Perio Piezo Tips includes 10 universal and anatomic piezo tips for calculus and biofilm removal. Specializing in both sub- and supragingival treatments, there is a PWR Perio Piezo Tip perfect for all of your patients' needs.

P2 Piezo Tip

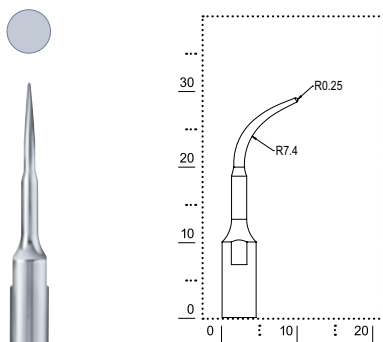


Tip Design

Curved working tip with a circular surface

Surface

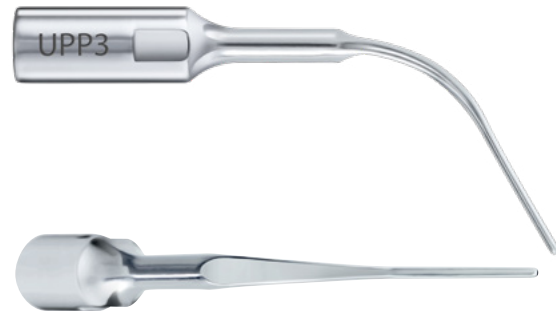
Brightly polished medical grade stainless steel



Treatment

For sub- and supragingival calculus and biofilm removal from root surfaces

P3 Piezo Tip

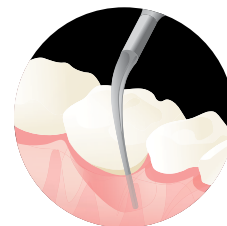
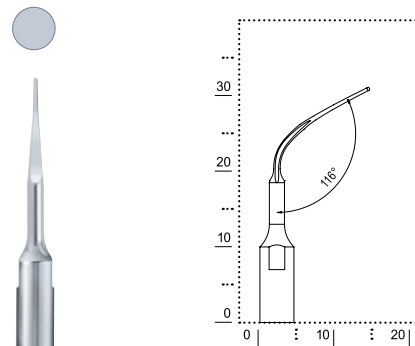


Tip Design

Slim and smooth like a probe

Surface

Brightly polished medical grade stainless steel



Treatment

Supra- and subgingival concretions and biofilm removal from interproximal spaces elimination

P10 Piezo Tip

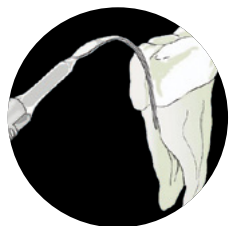
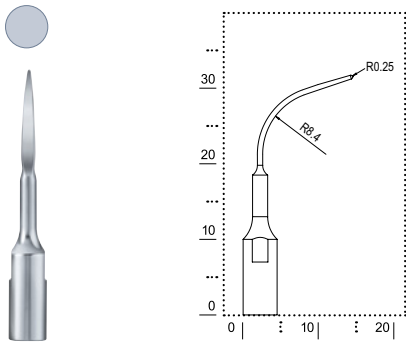


Tip Design

Extra long, curved working tip with a circular surface

Surface

Brightly polished medical grade stainless steel



Treatment

For sub- and supragingival calculus and biofilm removal from root surfaces

P11 Piezo Tip

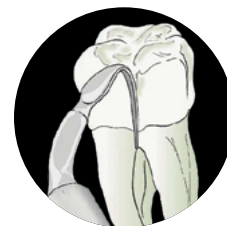
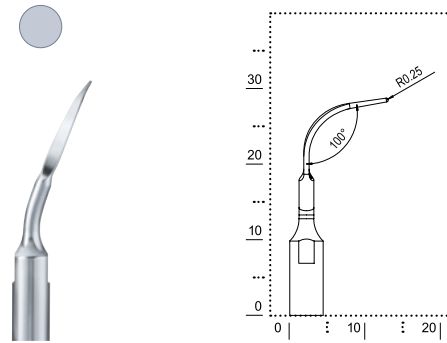


Tip Design

Right (inclination of 15°) curved Piezo Tip with round tip

Surface

Brightly polished medical grade stainless steel



Treatment

For gentle subgingival calculus removal

PWR Piezo Tips • Perio Tips

P12 Piezo Tip

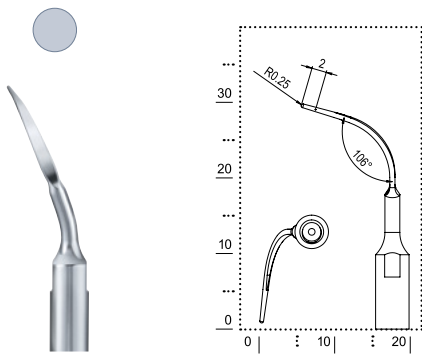


Tip Design

Left (inclination of 15°) curved Piezo Tip with round tip

Surface

Brightly polished medical grade stainless steel



Treatment

For gentle subgingival calculus removal

P13 Piezo Tip

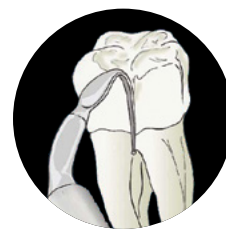
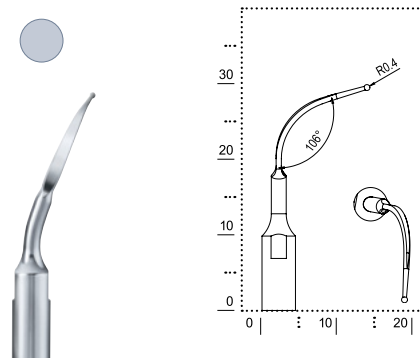


Tip Design

Right (inclination of 15°) curved Piezo Tip with spherical (Ø = 0.8 mm) round tip

Surface

Brightly polished medical grade stainless steel



Treatment

For calculus and biofilm removal in furcations and concavities

P14 Piezo Tip

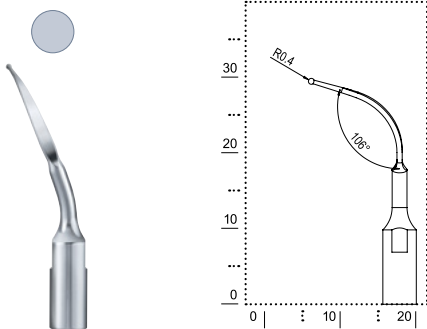


Tip Design

Left (inclination of 15°) curved Piezo Tip with spherical (Ø = 0.8 mm) round tip

Surface

Brightly polished medical grade stainless steel



Treatment

For sub- and supragingival calculus and biofilm removal in furcations and concavities

P15 Piezo Tip

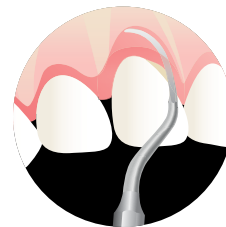
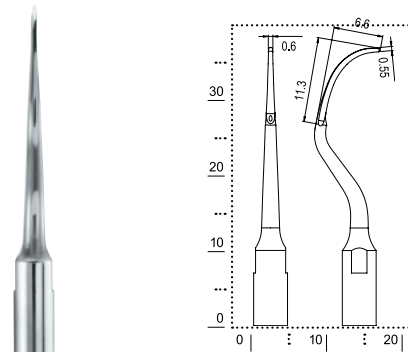


Tip Design

Universal curette shape with rounded surface

Surface

Brightly polished medical grade stainless steel



Treatment

Sub- and supragingival calculus and biofilm removal. Recommended for the treatment of canine and anterior teeth. Debridement of deep periodontal pockets.

PWR Piezo Tips • Perio Tips

P16L Piezo Tip

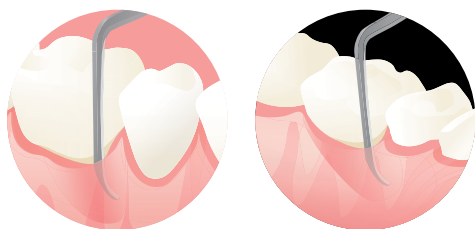
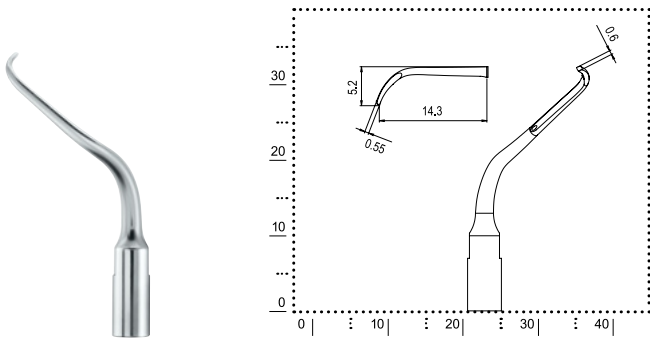


Tip Design

Left angled periodontal curette

Surface

Brightly polished medical grade stainless steel



Treatment

Subgingival calculus and biofilm removal from furcations and deep pockets. Recommended for the treatment of molars and premolars.

P16R Piezo Tip

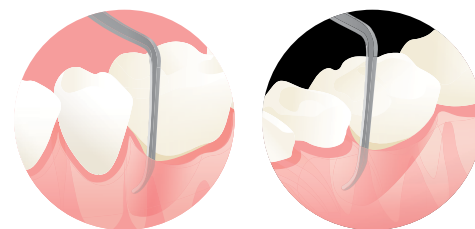
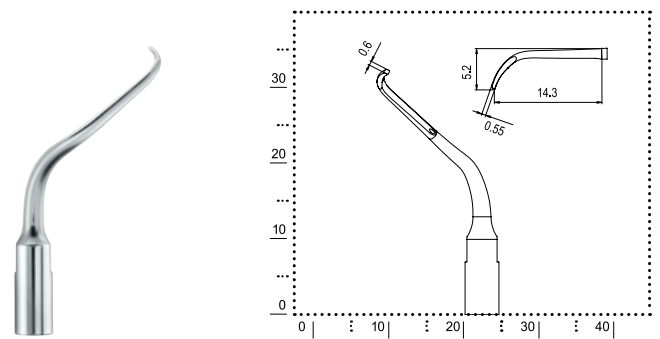


Tip Design

Right angled periodontal curette

Surface

Brightly polished medical grade stainless steel



Treatment

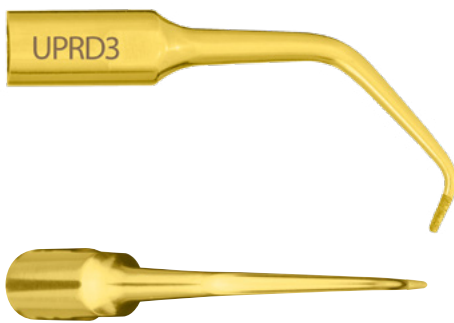
Subgingival calculus and biofilm removal from furcations and deep pockets. Recommended for the treatment of molars and premolars.

PWR Piezo Tips

Endodontic Retro Piezo Tips

Discover the PWR of minimally invasive retrograde root canal preparation. PWR Endodontic Retro Piezo Tips assure a Best in Practice solution to root canal access. The tips' thin and 90° angled structure allows a conservative cut through a minimum-width bone window. The minimal invasion facilitates healing and helps increase comfort.

RD3 Piezo Tip

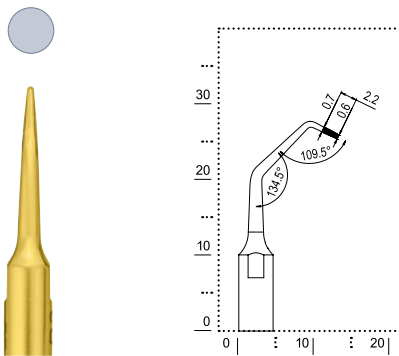


Tip Design

Angled shaft, with 90° angled working tip and fine diamond coating (D30)

Surface

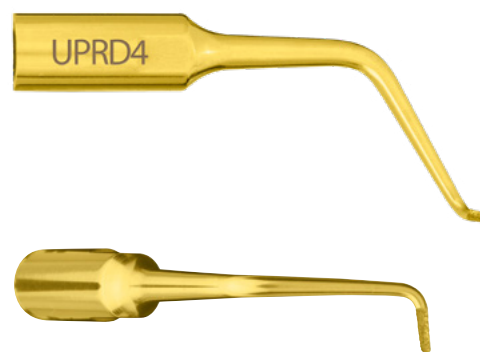
Titanium nitride coating



Treatment

Root canal cleaning in the frontal area

RD4 Piezo Tip

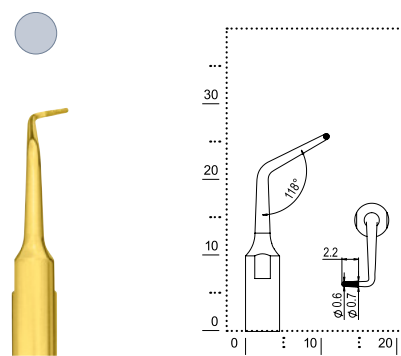


Tip Design

Angled shaft, with 90° right angled working tip and fine diamond coating (D30)

Surface

Titanium nitride coating



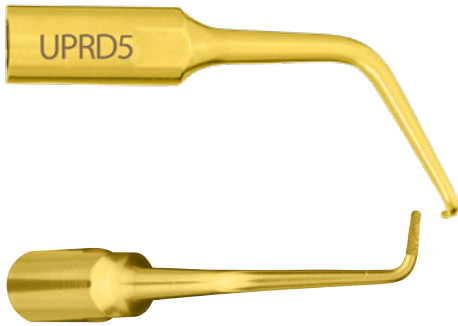
Treatment

Root canal cleaning in the molar area

PWR Piezo Tips

Endodontic Retro Piezo Tips

RD5 Piezo Tip

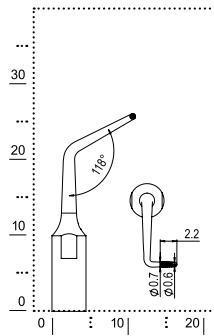


Tip Design

Angled shaft, with 90° left angled working tip and fine diamond coating (D30)

Surface

Titanium nitride coating



Treatment

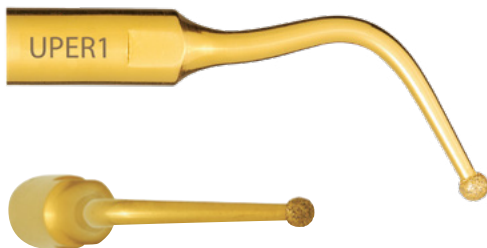
Root canal cleaning in the molar area

PWR Piezo Tips

Endodontic Revision Piezo Tips

From exposure and removal of root pins to fast and effective removal of calcification in the coronal third of the root and removal of fractured root inserts – the PWR Endodontic Revision Piezo Tips cover the complete spectrum of endodontic revision treatment.

ER1 Piezo Tip

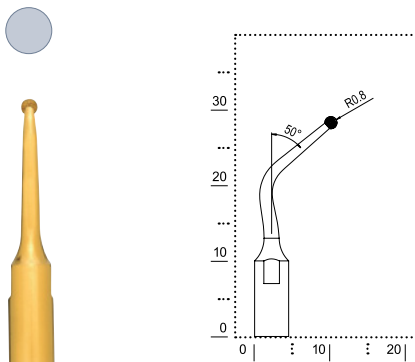


Tip Design

Angled shaft with small, spherical (\varnothing 1.7 mm) and D30 diamond coated tip

Surface

Titanium nitride coating



Treatment

Exposure of root canal pins

ER2 Piezo Tip

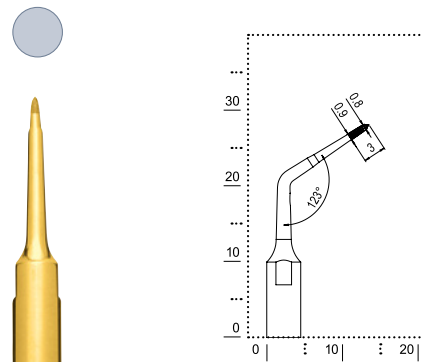


Tip Design

Angled Piezo Tip with 0.7 mm \varnothing , working length up to 10 mm, the last 5 mm D30 diamond coated tip

Surface

Titanium nitride coating



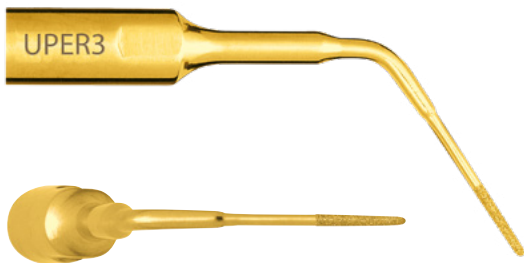
Treatment

Location of concealed or calcified root canal entrances, removal of restoration materials, calcification and fractured inserts in the coronal third of the root canal

PWR Piezo Tips

Endodontic Revision Piezo Tips

ER3 Piezo Tip

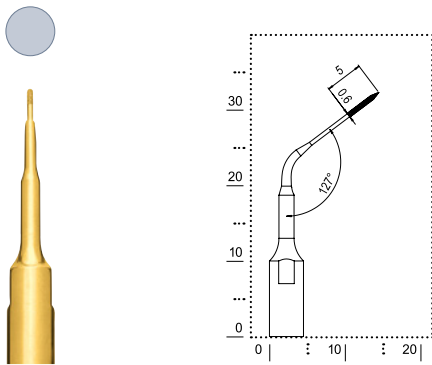


Tip Design

Angled Piezo Tip with 0.6 mm Ø, working lengthly up to 10 mm, the last 5 mm D30 diamond coated tip

Surface

Titanium nitride coating



Treatment

Presentation of calcified root canal entrances, removal of root elements and fractured inserts in the coronal third of the root canal

ER4 Piezo Tip

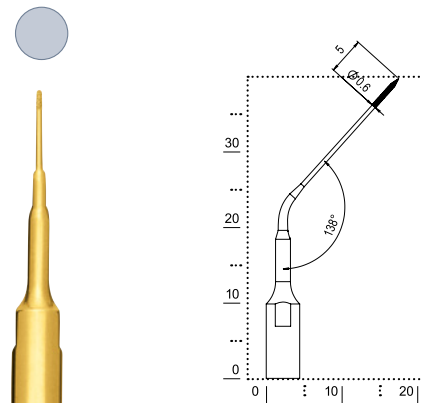


Tip Design

Angled Piezo Tip with 0.7 mm Ø, working lengthly up to 10 mm, the last 5 mm D30 diamond coated tip

Surface

Titanium nitride coating



Treatment

Location of concealed or calcified root canal entrances, removal of restoration materials, calcification and fractured inserts in the coronal third of the root canal

ER5 Piezo Tip

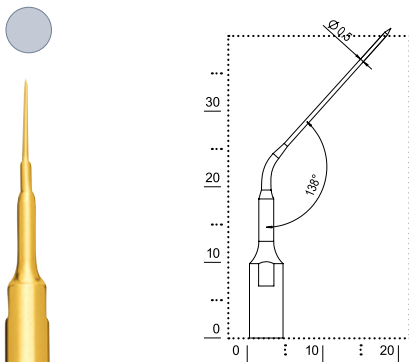


Tip Design

Angled Piezo Tip with 0.6 mm \varnothing , working length up to 10 mm, the last 5 mm D30 diamond coated tip

Surface

Titanium nitride coating



Treatment

Presentation of calcified root canal entrances,
removal of root elements and fractured inserts in the
coronal third of the root canal

PWR Piezo Tips • Implant Cleaning Tips

The PWR Implant Cleaning Tip is 100% PEEK (high tech plastics) to safely cleaning the implant surface. The special shape of the tip holder allows for optional access and a perfect view even in posterior regions.

UPIC1 Implant Cleaning Tip & UPICTH Tip Holder

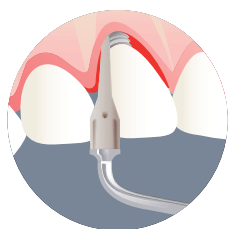
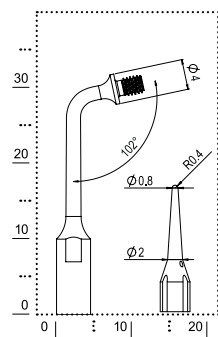


Tip Design

102 ° angled tipholder with conical implant cleaning tip (working length 10 mm, Ø apical 0,8 mm, Ø coronal 2 mm)

Surface

Brightly polished medical grade stainless steel (tip holder), 100% PEEK (implant cleaning tip)



Treatment

Efficient and gentle cleaning of implants and restorations

Also Available • PWR Piezo Tip Kits

PWR Piezo Tip Set Maintenance



PWR Piezo Tip Set Maintenance	UPSETM
S1 PWR Piezo Tip	UPS1
S2 PWR Piezo Tip	UPS2
S5 PWR Piezo Tip	UPS5
P2 PWR Piezo Tip	UPP2
P3 PWR Piezo Tip	UPP3
K10 Tip Wrench (QTY:5)	UPK10

PWR Piezo Tip Set Scaling



PWR Piezo Tip Set Scaling	UPSETS
S1 PWR Piezo Tip	UPS1
S2 PWR Piezo Tip	UPS2
S3 PWR Piezo Tip	UPS3
S4 PWR Piezo Tip	UPS4
S5 PWR Piezo Tip	UPS5
K10 Tip Wrench (QTY:5)	UPK10

Also Available • PWR Piezo Tip Kits

PWR Piezo Tip Set Perio Maintenance



PWR Piezo Tip Set Perio Maintenance	UPSETPM
P10 PWR Piezo Tip	UPP10
P11 PWR Piezo Tip	UPP11
P12 PWR Piezo Tip	UPP12
P13 PWR Piezo Tip	UPP13
P14 PWR Piezo Tip	UPP14
K10 Tip Wrench (QTY:5)	UPK10

PWR Piezo Tip Set Perio Treatment



PWR Piezo Tip Set Perio Treatment	UPSETPT
P2 PWR Piezo Tip	UPP2
P3 PWR Piezo Tip	UPP3
P15 PWR Piezo Tip	UPP15
P16L PWR Piezo Tip	UPP16L
P16R PWR Piezo Tip	UPP16R
K10 Tip Wrench (QTY:5)	UPK10

PWR Piezo Tip Set Endo Revision

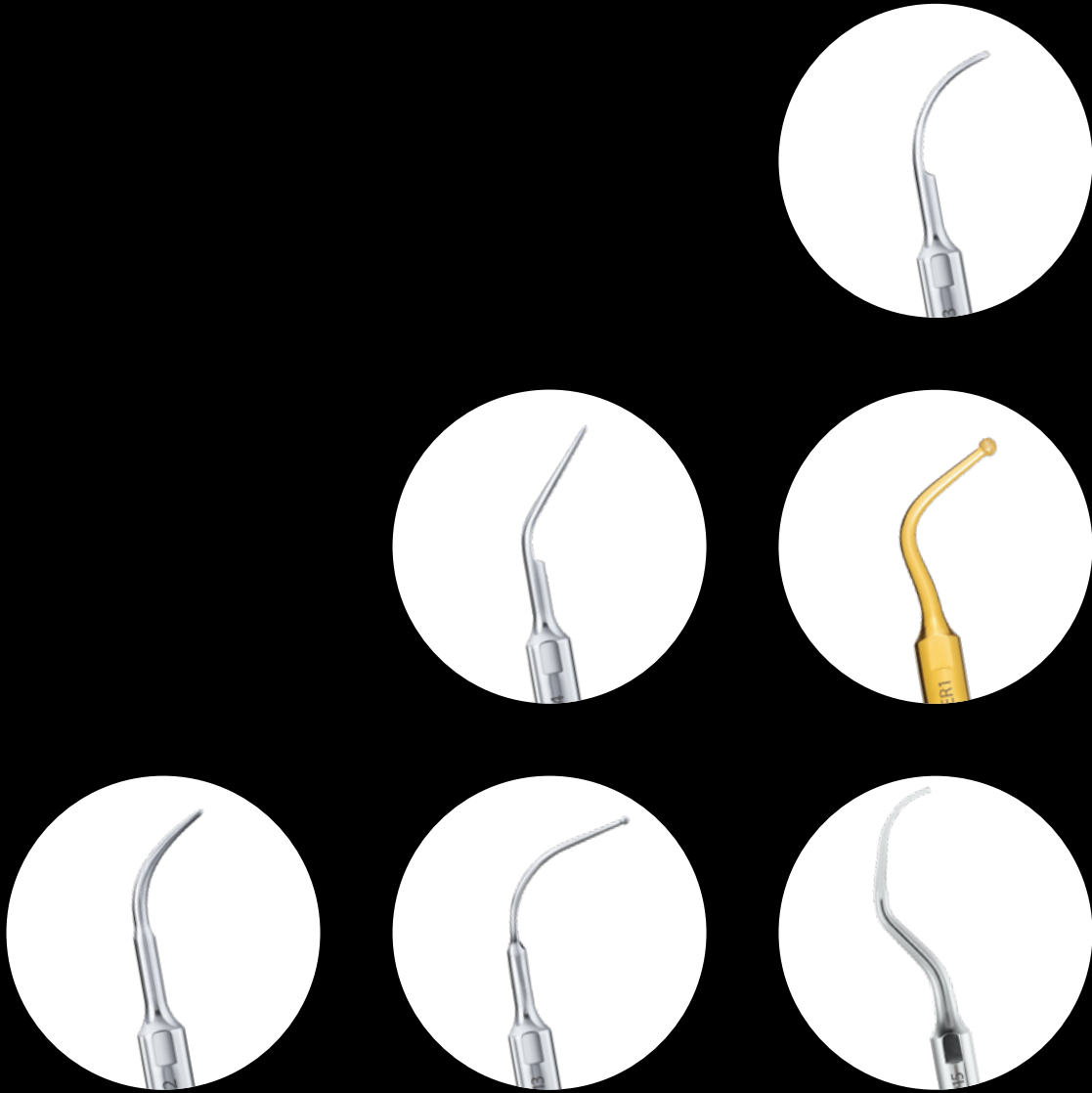


PWR Piezo Tip Set Endo Revision	UPSETER
ER1 PWR Piezo Tip	UPER1
ER2 PWR Piezo Tip	UPER2
ER3 PWR Piezo Tip	UPER3
ER4 PWR Piezo Tip	UPER4
ER5 PWR Piezo Tip	UPER5
K10 Tip Wrench (QTY:5)	UPK10

PWR Piezo Tip Set Implant Cleaning



PWR Piezo Tip Set Implant Cleaning	UPSETIC
PWR Piezo Tip - Implant Cleaning (QTY:5)	UPIC1
PWR Piezo - Implant Cleaning Tip Holder	UPIC1H
K10 Tip Wrench	UPK10



For more information about PWR Piezo Devices and Tips, visit [HuFriedyGroup.com/PWR-ON](https://www.HuFriedyGroup.com/PWR-ON)

Hu-Friedy Mfg. Co., LLC, 1666 E. Touhy Ave., Des Plaines, IL 60018 | [HuFriedyGroup.com](https://www.HuFriedyGroup.com)

All company and product names are trademarks of Hu-Friedy Mfg. Co., LLC its affiliates or related companies, unless otherwise noted. Marks not registered in all jurisdictions.

©2024 Hu-Friedy Mfg. Co., LLC. All rights reserved. HFL-924 / 2409