

# ORTHOPANTOMOGRAPH™ OP 2D

Quality and design



# ORTHOPANTOMOGRAPH™ OP 2D

OP 2D is a digital panoramic X-ray unit that combines distinctive design and reliable quality with all essential tools for standard panoramic imaging needs. OP 2D is part of the well-known ORTHOPANTOMOGRAPH™ product family.

OP 3D Pro

**OP 2D**

---

## All the essentials included

- Stable 5-point patient positioning
- Optimal imaging geometry
- Adjustable anterior layer position with 3 positioning lights
- Powerful high-frequency X-ray tubehead design
- High resolution CCD imaging sensor
- V-shaped collimation optimizes image quality
- Versatile software tools to enhance diagnostic capabilities





## One-of-a-kind image quality

Sharp and detailed images are enabled by a powerful tubehead and wide range of exposure settings that fit every patient size. A special V-shaped radiation beam is essential to overcome anatomical differences between the patients.

Utilizing the OP 2D segmented pan feature enables capture of the area of interest with specific panoramic regions, while lowering patient radiation dose.



The standard panoramic imaging program provides clear definition of the dental anatomy including TMJs—in only 10 seconds.



## User-friendly workflow

### Just 2 selections need to be made

- Choose the imaging program
- Select patient size

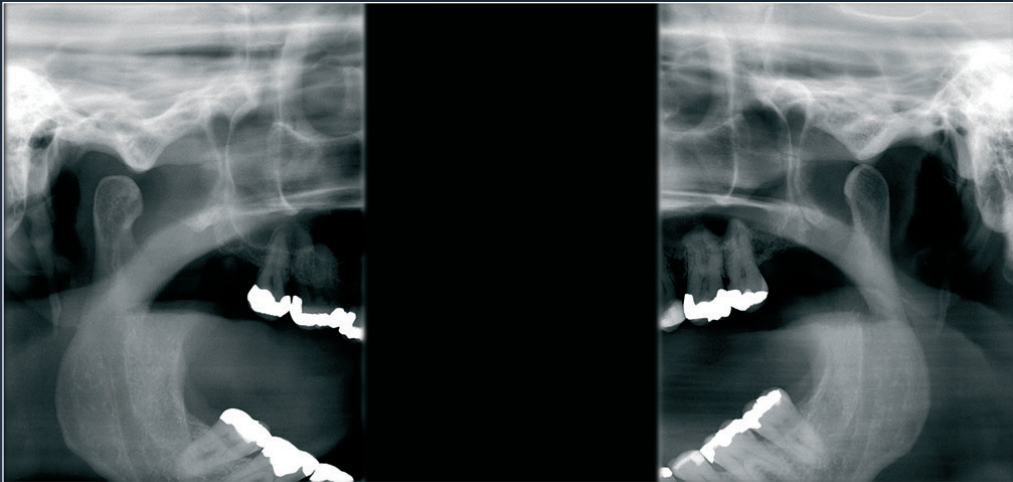
Straightforward operation makes taking the panoramic image fast and easy. An integrated 5.7 inch touchscreen with remarkably user-friendly navigation is extremely simple to use.

### Patient positioning

Intuitive 5-point patient positioning system holds the patient still during the imaging procedure to reduce movement artifacts. Three laser positioning lights make positioning accurate. The sharp layer is easily adjustable for every patient.



The pediatric panoramic imaging program provides a reduced imaging area for pediatric and small patients.



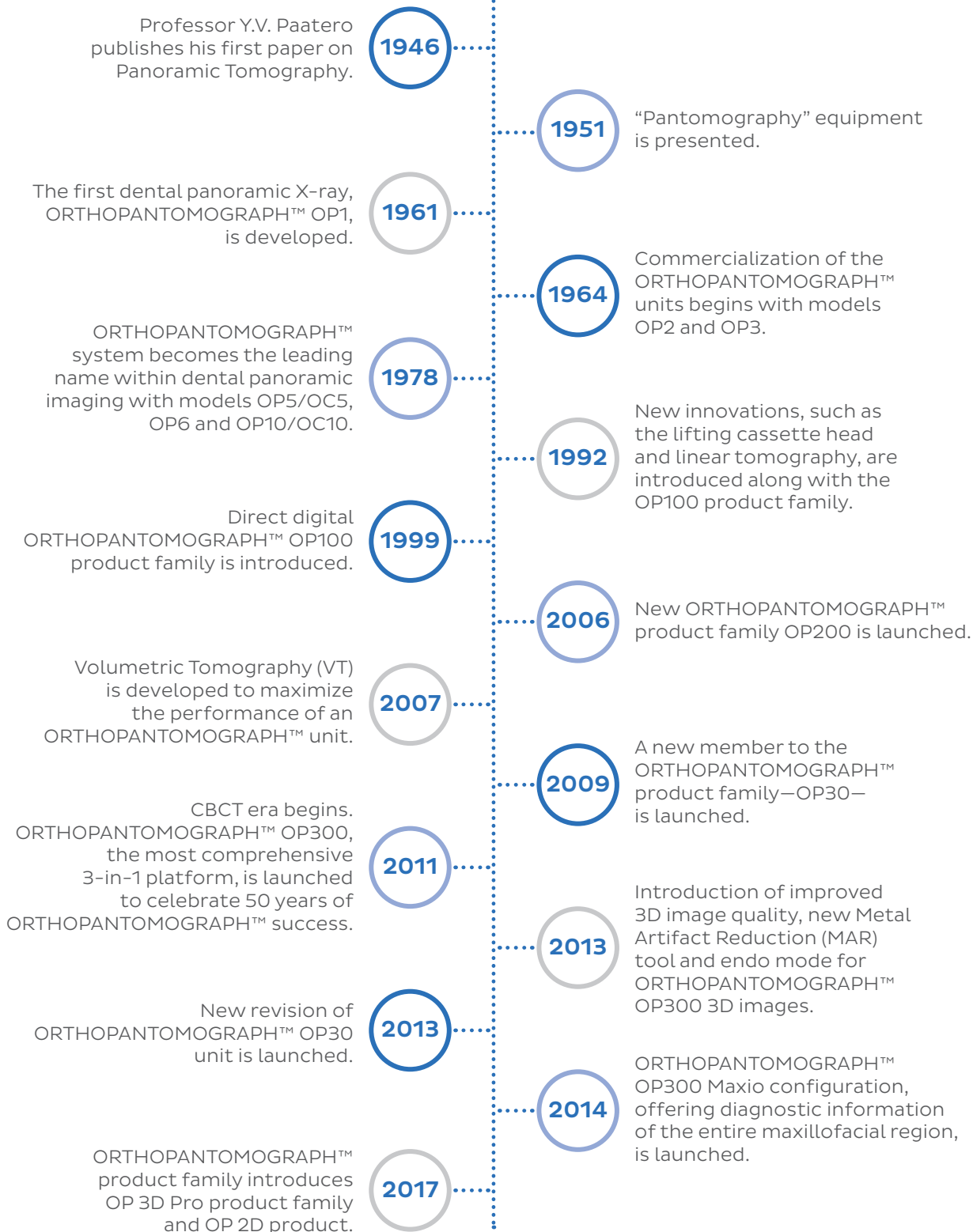
Lateral view from temporomandibular joint area with mouth closed or open.



The bitewing view is a quick and easy alternative for intraoral bitewing imaging.

# Leading the way through the decades

For more than 50 years, the name of ORTHOPANTOMOGRAPH™ system has stood for ultimate reliability and clinically correct maxillofacial imaging.



# Technical Specifications

Focal Spot	0.5mm IEC 60336/1993
Tube Voltage	63–81 kV
Tube Current	6–12 mA with 220–240 VAC (tube current limited with 100–125 VAC)
Nominal Voltage	100–125 VAC or 220–240 VAC, 50/60Hz
HU Capacity	30 kJ, 42 000 HU
Minimum Total Filtration	2.6 mm Al
Wheelchair accessible	Yes

## Panoramic

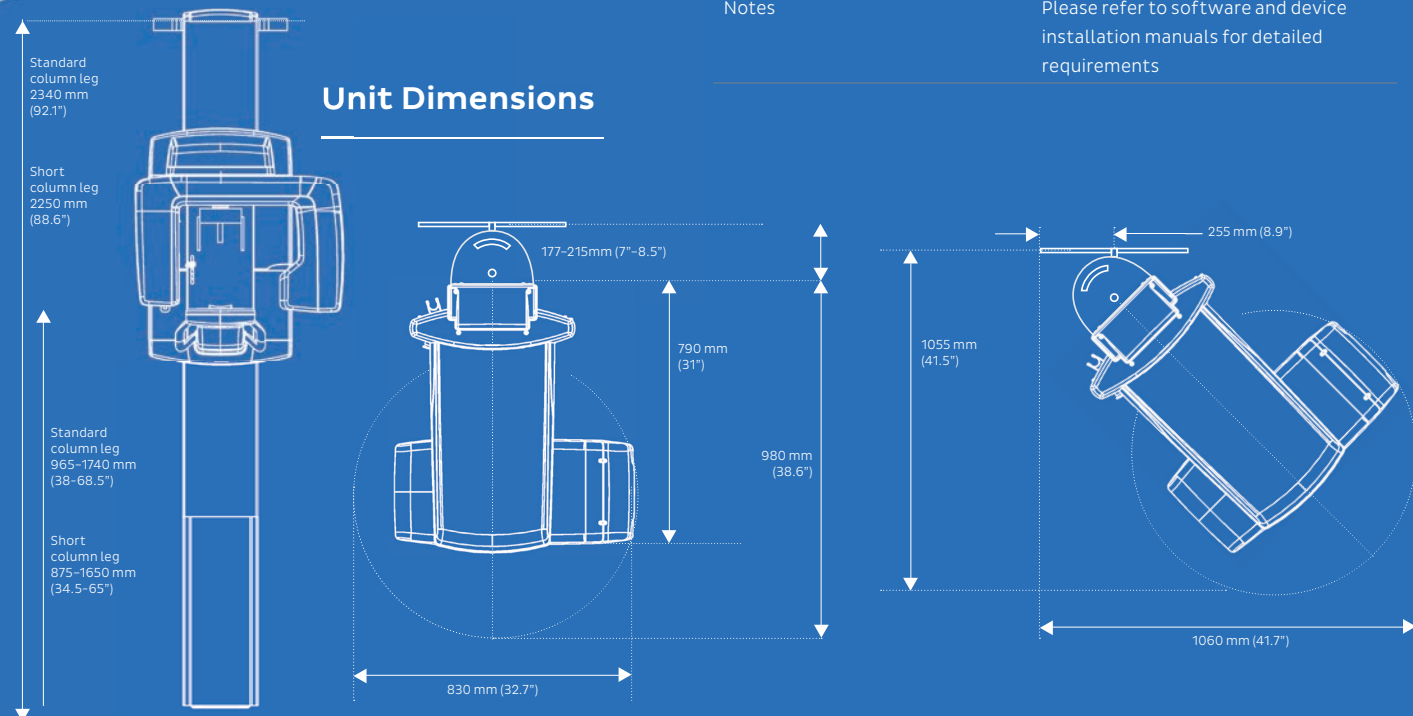
Image Detector	CCD
Sensor Pixel Size	48 µm
Image Pixel Size	96 µm
Image Field Height	147.5 mm
Exposure Time	5–12 s
Imaging Programs	Standard, Pediatric, Segmented, TMJ Lateral, Bitewing
Weight	120 kg/265 lbs

## Minimum System Requirements for Acquisition Workstation

CPU (processor)	Intel Core i3, 2-cores or more
GPU (graphics processing unit)	No special requirements
RAM (memory)	4 GB or more
Storage (hard disk)	8 GB free disk space, 100 GB or more recommended, plus backup
Network	Gigabit Ethernet 1000 Mb/s or Fast Ethernet 100 Mb/s
Operating System	Windows 10 Pro or Enterprise, 64-bit recommended, 32-bit supported  Windows 8.1 Pro or Enterprise, 64-bit recommended, 32-bit supported  Windows 7 Professional, Ultimate or Enterprise with SP1, 64-bit recommended, 32-bit supported
Display	1680 x 1050 resolution higher, at least 300 cd/m <sup>2</sup> brightness for typical room lighting, native contrast ratio 100:1 or better, 8-bit panel strongly recommended
Other	OpenCL 1.1 support DVD-ROM drive Anti-virus software
Notes	Please refer to software and device installation manuals for detailed requirements



## Unit Dimensions



# Dental Excellence from KaVo.



## Handpieces

KaVo has always been the leader in creating innovative solutions for dental practitioners. Our vast line of quality handpieces showcase our attention to your level of care while delivering performance that lasts.



## Treatment Units

Beautiful lines, patient comfort and simple operation are just a few of the benefits to the line of KaVo treatment units. Everything you need to perform any procedure— all in one solution.



## Imaging Solutions

Designed with ease-of-use for all clinicians in mind, KaVo now offers dependable and consistent imaging solutions that provide vital information to support accurate diagnosis and predictable treatment planning.

The products, equipment and services illustrated and described in this brochure reflect knowledge at the time of printing. KaVo Dental accepts no liability for any deviation from the illustrations in terms of color or shape, or any errors or print errors, and retains the right to make changes to the brochure at any time. Full or partial reprinting is only permitted with permission from KaVo Dental. For indications for use, please visit: [www.kavo.com/us/ifu](http://www.kavo.com/us/ifu).

KaVo Kerr Group Finland reserves the right to make changes to specifications and features shown herein, or to discontinue the product described at any time without notice or obligation. Contact your local authorized representative for the most current information. CE marked according to Medical Device Directive (NB 0537). Electrical safety according to IEC 60601-1. Operations comply with ISO 13485:2003, ISO 9001:2008, and ISO 14001:2004. Manufactured by Palodex Group OY, Nahkelantie 160, 04300 Tuusula, Finland.

ORTHOPANTOMOGRAPH™ / OP™ are either registered trademarks or trademarks of KaVo Kerr Group Finland in the United States and/or other countries. KaVo™ is either registered trademark or trademark of Kaltenbach & Voigt GmbH in the United States and/or other countries. All other trademarks are property of their respective owners.

© 2017 KaVo Dental. All rights reserved. KV00008/B3.17