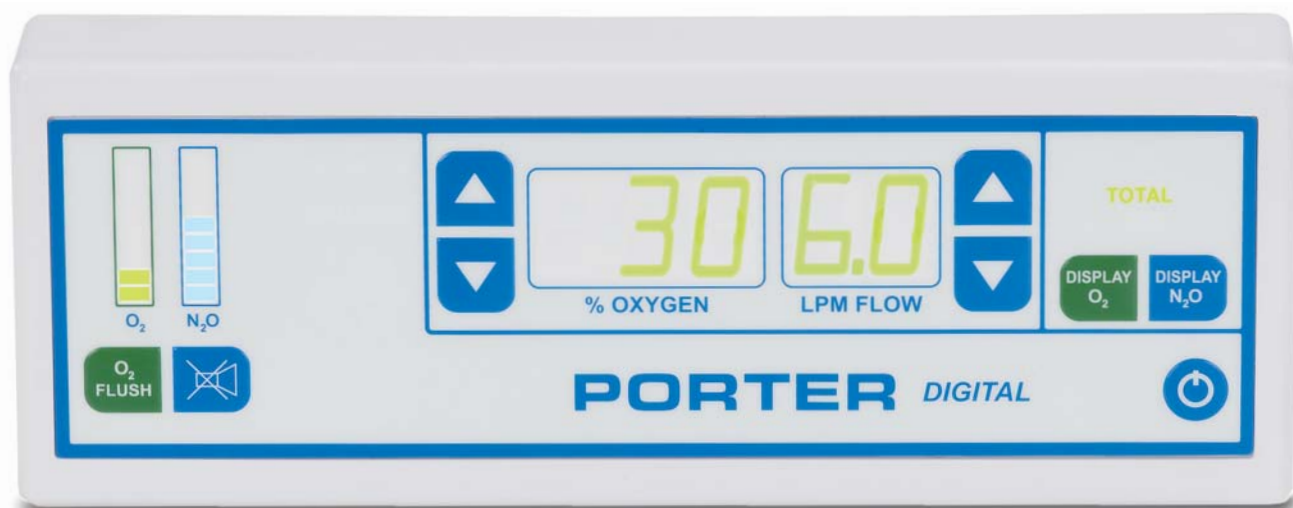


Porter Digital MDM



Porter Digital MDM Flowmeter Faceplate



Porter Digital MDM Control Module



Porter Digital MDM Faceplate Side View

Porter's newest nitrous oxide flowmeter system is the smallest in the industry. The extremely small footprint and remote faceplate allow the convenience and flexibility of multiple installation options. The faceplate can easily fit into restrictive space inside cabinets, under counters, on counter tops, and in walls. Contact your Porter representative today to learn more!

Faceplate Dimensions

Length = 7 ⁷/₈"

Height = 2 ³/₄"

Depth = 1 ¹/₄"

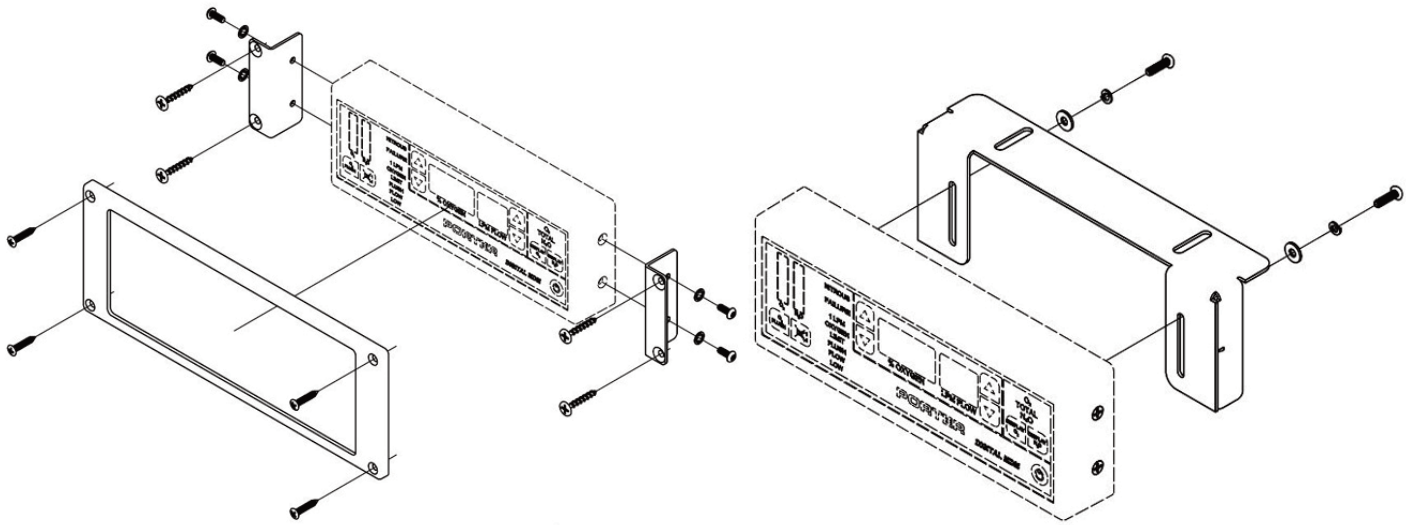
Control Module Dimensions

Length = 8"

Height = 3"

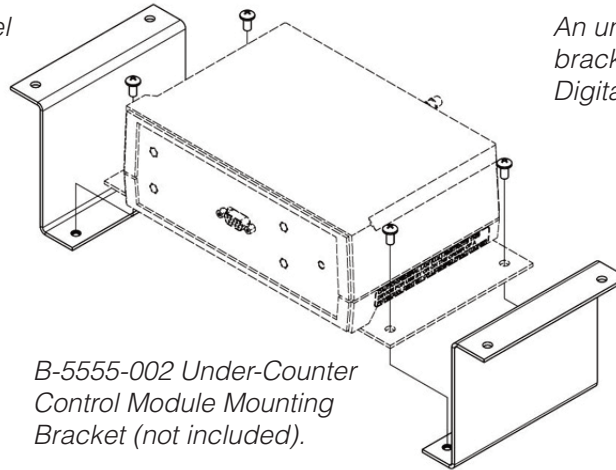
Depth = 5 ⁵/₈"

Porter Digital MDM Packages



Mounting brackets and bezel included in all Digital MDM packages.

An under-counter mounting bracket is also included in all Digital MDM packages.



B-5555-002 Under-Counter Control Module Mounting Bracket (not included).

- 6465C.....Porter Digital MDM Adult Package
- 6465C-P.....Porter Digital MDM Pedo Package
- 6465CAV.....Porter Digital MDM AVS Adult Package
- 6465CAV-P.....Porter Digital MDM AVS Pedo Package

All packages include a Pre-Install Kit (B-2460-KIT). If ordering the Pre-Install Kit in advance, add the suffix -LPI to the package part number and deduct \$270 from retail price.

Example:

6465CAV-LPI.....Porter Digital MDM AVS Adult Package
Less Pre-Install Kit

B-5555-002.....Under-Counter Control Module Mounting Bracket



www.porterinstrument.com/dental
1-888-723-4001